

Quality Irrigation Products



ISO 9001:2015
Certified
Quality Management



ANSI National Accreditation Board
ACCREDITED
ISO/IEC 17021-1
MANAGEMENT SYSTEMS
CERTIFICATION BODY

UMC is a ISO 9001:2015
Certified Company



IRRIGATION
POWERTRAIN

www.umcproducts.com

2920 Airway Ave, Costa Mesa, Ca. 92626
phone: 714.437.9600 fax: 714.437.9700

Booster Pump

200GPM 60Hz Booster Pump

Designed specifically for mechanized irrigation

The UMC 200GPM 60Hz Booster Pump is purpose built for use on center pivots and lateral / linear irrigation systems and is designed to boost line pressure for a pivot's end gun.

Model Number	Output RPM
06169-194E	200GPM-60Hz-BP-SS Impeller
06169-194A	200GPM-60Hz-BP-Iron Impeller

Features and Benefits

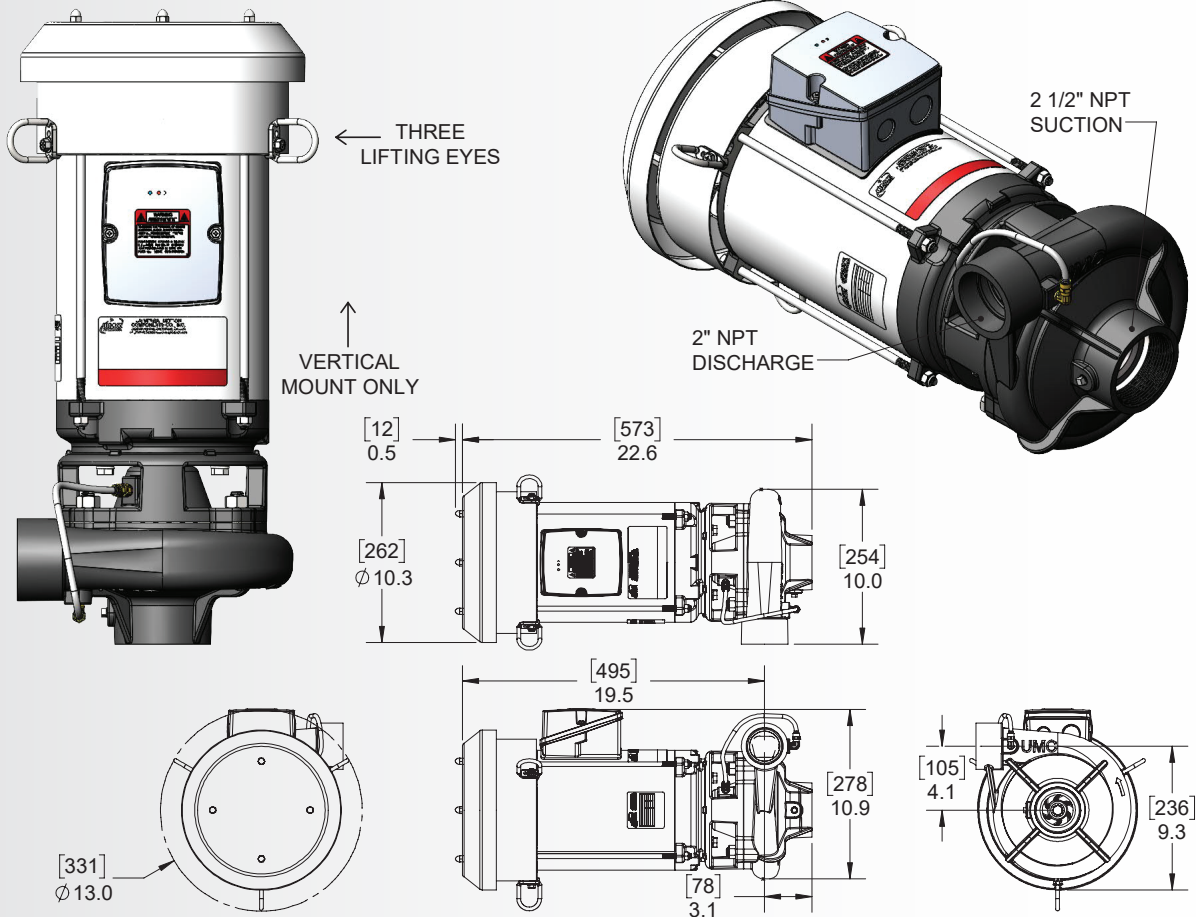
The UMC 200 GPM 60Hz Booster Pump is designed with features that enhance performance and reduce failures.

- ▶ Rated Flow: 0-196GPM
- ▶ Rated Boost Pressure: 30 PSI @ 196GPM
- ▶ Premium Efficient TEFC 2HP (2.4SF) motor
- ▶ CSA, CE, US DOE & NRCAN certified motor
- ▶ IP45 rated motor
- ▶ Motor drain holes eliminate moisture accumulation
- ▶ Automatic reset thermal protector
- ▶ Die cast aluminum junction box with multiple knockouts for cable gland connection
- ▶ Cast iron volute with threaded NPT connections: 2.5" suction and 2" discharge
- ▶ Stainless steel wear ring for volute suction
- ▶ Precision balanced impeller
- ▶ Stainless steel or iron impeller options
- ▶ Stainless steel rotor shaft
- ▶ Mechanical shaft seal
- ▶ Drain plug in volute for easy after season draining
- ▶ Stainless steel pump hardware
- ▶ Back pull out pump design
- ▶ Vertical mount configuration
- ▶ Lifting eyes for safer installation

sales@umcproducts.com

Universal Motion Components®

Dimensional Drawing 200GPM 60Hz Booster Pump



UMC 200GPM 60Hz Booster Pump Performance - 3450 RPM

Flow		Boost Pressure		Current & Power	
USGPM	m3/h	PSI	TDH (m)	Amps (460V)	Power (HP)
0	0	37	26	2.7	2.0
22	5	38	27	2.6	2.1
44	10	38	27	3.1	2.4
66	15	38	27	3.3	2.8
88	20	37	26	3.8	3.2
110	25	37	26	4.1	3.6
132	30	36	25	4.4	3.9
154	35	34	24	4.8	4.3
176	40	33	23	5.2	4.6
196	45	30	21	5.6	4.8

UNIVERSAL
MOTION
COMPONENTS



www.umcproducts.com



sales@umcproducts.com

Universal Motion Components, Co. Inc.
2920 Airway Ave, Costa Mesa, Ca. 92626
Phone - 714-437-9600 Fax - 714-437-9700
Web - <http://www.umcproducts.com>
E-mail - sales@umcproducts.com